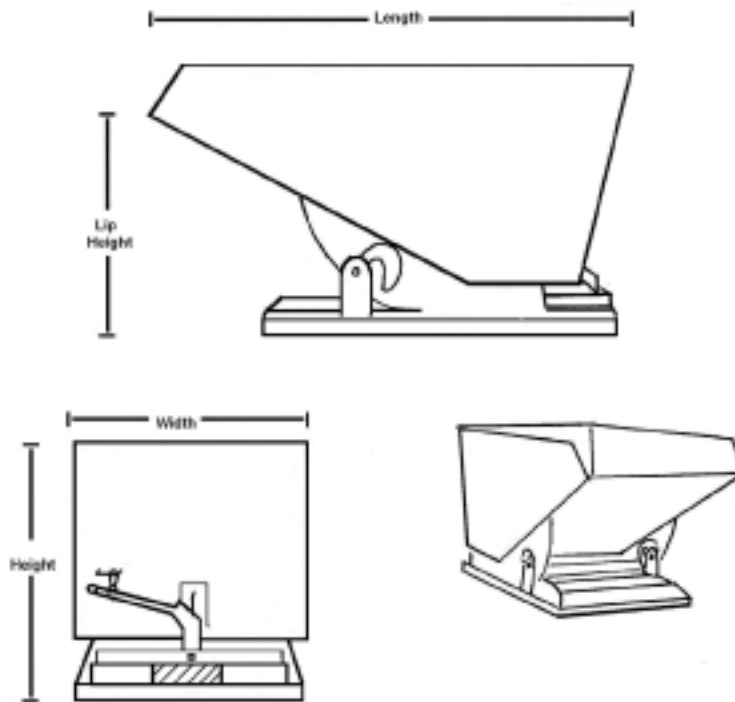


Tipskip dimensions



Model		Length	Width	Height	Lip Height	Body
0.50	0.35cu.m	1320	820	700	615	3
0.75	0.50cu.m	1320	970	880	615	3
1.00	0.75cu.m	1560	970	920	750	3 or 5
1.50	1.20cu.m	1980	1070	1110	930	3 or 5
2.00	1.60cu.m	1980	1570	1110	930	5
3.00	2.40cu.m	1980	1570	1410	930	5

Model		Weight kg	C of G Closed	C of G Tipped	Max Load kg	Min Truck kg
0.50	0.35cu.m	120	550	860	1000	2000
0.75	0.50cu.m	140	550	910	1000	2000
1.00	0.75cu.m	230	630	1040	2500	5000
1.50	1.20cu.m	330	800	1300	2500	6000
2.00	1.60cu.m	420	800	1300	2000	6000
3.00	2.40cu.m	480	800	1350	2000	6000

Overall dimensions are in mm

If castors are required, they will increase the height of the tipping skip.

125 mm castors equal a height increase of 155 mm

150 mm castors equal a height increase of 190 mm

E&OE

Waste Handling Solutions Ltd

Units B12-B14 Backfield Business Park, Wotton Road, Iron Acton, Bristol, BS37 9XD

Tel: 01454 228899 Fax: 01454 228998 Email: info@waste-handling-solutions.com